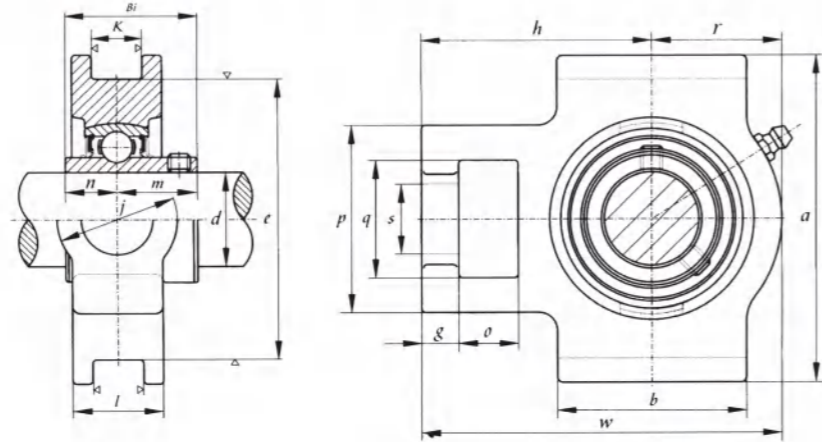


滑块座
Take-up Units
(normal-duty)

UCST 200 (wide inch slot)
UCT 200 (narrow metric slot)

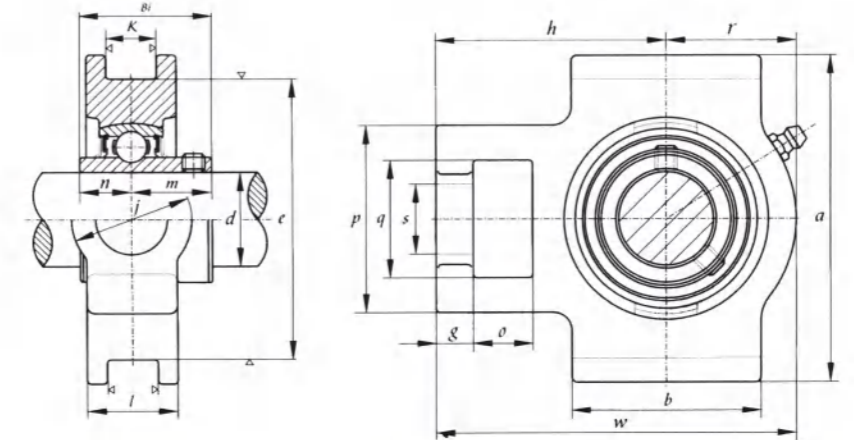


带座轴承代号 Bearing Unit No.	轴径 Shaft Dia. (in.)	外形尺寸(毫米) Dimensions (mm)															Bearing No.	Housing No.	重量 Weight (kg)
		o	g	p	q	s	b	k	e	a	w	j	l	h	Bi	n			
UCST204-12	3/4	5/8	13/32	2	1 1/4	3/4	2	17/32	2 63/64	3 1/2	3 11/16	1 1/4	15/16	2 13/32	1.220	0.500	UC204-12	ST204	1.85
UCST205-14 205-15 205-16	7/8 15/16 1	5/8	13/32	2	1 1/4	3/4	2	17/32	2 63/64	3 1/2	3 11/16	1 1/4	15/16	2 7/16	1.3386	0.563	UC205-14 205-15 205-16	ST205	1.78
UCST206-17 206-18 206-19 206-20	1 1/16 1 1/8 1 3/16 1 1/4	5/8	13/32	2 7/32	1 15/32	55/64	2 1/4	17/32	3 1/2	4 1/32	4 7/16	1 15/32	1 3/32	2 3/4	1.500	0.626	UC206-17 206-18 206-19 206-20	ST206	2.42
UCST207-20 207-21 207-22 207-23	1 1/4 1 5/16 1 3/8 1 7/16	5/8	1/2	2 17/32	1 15/32	55/64	2 17/32	17/32	3 1/2	4 1/32	5 3/32	1 15/32	1 3/16	3 1/16	1.689	0.689	UC207-20 207-21 207-22 207-23	ST207	3.53
UCST208-24 208-25	1 1/2 1 9/16	3/4	5/8	3 9/32	1 15/32	1 9/64	3 9/32	11/16	4 1/64	4 1/2	5 21/32	1 5/16	1 5/16	3 15/32	1.937	0.748	UC208-24 208-25	ST208	5.30
UCST209-26 209-27 209-28	1 5/8 1 11/16 1 3/4	3/4	5/8	3 9/32	1 15/16	1 9/64	3 9/32	11/16	41/64	4 19/32	5 21/32	1 15/16	1 3/8	3 7/16	1.937	0.748	UC209-26 209-27 209-28	ST209	5.30
UCST210-30 210-31 210-32	1 7/8 1 15/16 2	3/4	5/8	3 9/32	1 15/16	1 9/64	3 3/8	11/16	4 1/64	4 19/32	5 7/8	1 15/16	1 15/32	3 17/32	2.031	0.748	UC210-30 210-31 210-32	ST210	5.40
UCST211-32 211-34 211-35	2 2 1/8 2 3/16	1	3/4	4 1/32	2 17/32	1 3/8	3 3/4	1 1/16	5 1/8	5 3/4	6 23/32	2 17/32	1 1/2	4 3/16	2.189	0.874	UC211-32 211-34 211-35	ST211	9.04
UCST212-36 212-38 212-39	2 1/4 2 3/8 2 7/16	1 1/4	3/4	4 1/32	2 17/32	1 3/8	4 1/32	1 1/16	5 1/8	5 3/4	7 5/8	2 17/32	1 21/32	4 11/16	2.563	1.000	UC212-36 212-38 212-39	ST212	11.0
UCST213-40	2 1/2	1 1/4	13/16	4 3/8	2 3/4	1 39/64	4 3/4	1 1/16	5 15/16	6 9/16	8 13/16	2 3/4	1 23/32	5 13/32	2.563	1.000	UC213-40	ST213	15.5

带座轴承代号 Bearing Unit No.	轴径 Shaft Dia. (in.)	外形尺寸(毫米) Dimensions (mm)															Bearing No.	Housing No.	重量 Weight (kg)
		o	g	p	q	s	b	k	e	a	w	j	l	h	Bi	n			
UCT201	12	16	10	51	32	19	51	12	76	89	94	32	21	61	31	12.7	UC201	T204	0.75
UCT202	15	16	10	51	32	19	51	12	76	89	94	32	21	61	31	12.7	UC202	T204	0.73
UCT203	17	16	10	51	32	19	51	12	76	89	94	32	21	61	31	12.7	UC203	T204	0.72
UCT204	20	16	10	51	32	19	51	12	76	89	94	32	21	61	31	12.7	UC204	T204	0.70
UCT205	25	16	10	51	32	19	51	12	76	89	97	32	24	62	34	14.3	UC205	T205	0.73
UCT206	30	16	10	56	37	22	57	12	89	102	113	37	28	70	38.1	15.9	UC206	T206	1.17
UCT207	35	16	13	64	37	22	64	12	89	102	129	37	30	78	42.9	17.5	UC207	T207	1.45
UCT208	40	19	16	83	49	29	83	16	102	114	144	49	33	88	49.2	19	UC208	T208	2.11
UCT209	45	19	16	83	49	29	83	16	102	117	144	49	35	87	49.2	19	UC209	T209	2.18
UCT210	50	19	16	83	49	29	86	16	102	117	149	49	37	90	51.6	19	UC210	T210	2.35
UCT211	55	25	19	102	64	35	95	22	130	146	171	64	38	106	55.6	22.2	UC211	T211	3.56
UCT212	60	32	19	102	64	35	102	22	130	146	194	64	42	119	65.1	25.4	UC212	T212	4.23
UCT213	65	32	21	111	70	41	121	26	151	167	224	70	44	137	65.1	25.4	UC213	T213	6.04
UCT214	70	32	21	111	70	41	121	26	151	167	224	70	46	137	74.6	30.2	UC214	T214	6.35
UCT215	75	32	21	111	70	41	121	26	151	167	232	70	48	140	77.8	33.3	UC215	T215	6.60
UCT216	80	32	21	111	70	41	121	26	165	184	235	70	51	140	82.6	33.3	UC216	T216	7.24
UCT217	85	38	29	124	73	48	157	30	173	198	260	73	54	162	85.7	34.1	UC217	T217	10.33

滑块座
Take-up Units

UCT 300 (heavy-duty)



带座轴承代号 Bearing Unit No.	轴径 Shaft Dia.		外形尺寸(毫米) Dimensions (mm)															Bearing No.	Housing No.	重量 Weight (kg)		
	(in.)	(mm)	o	g	p	q	s	b	k	e	a	w	j	l	r	h	Bi				n	m
UCT305 305-16 305-18	1 1 1/8	25	16	12	62	36	26	65	12	80	89	122	36	26	46	76	38	15	23	UC305 305-16 305-18	T305	1.4
UCT306 306-19	1 3/16	30	18	14	70	41	28	74	16	90	100	137	41	28	52	85	43	17	26	UC306 306-19	T306	1.8
UCT307-20 307-22 307 307-23	1 1/4 1 3/8 1 7/16	35	20	15	75	45	30	80	16	100	111	150	45	32	56	94	48	19	29	UC307-20 307-22 307 307-23	T307	2.3
UCT308-24 308	1 1/2	40	22	17	83	50	32	89	18	112	124	162	50	34	62	100	52	19	33	UC308-24 308	T308	3.0
UCT309-28 309	1 3/4	45	24	18	90	55	34	97	18	125	138	138	55	38	68	110	57	22	35	UC309-28 309	T309	4.1
UCT310-30 310-31 310 310-32	1 7/8 1 15/16 2	50	27	20	98	61	37	106	20	140	151	191	61	40	74	117	61	22	39	UC310-30 310-31 310 310-32	T310	4.9
UCT311-32 311	2	55	29	21	105	66	39	115	22	150	163	207	66	44	80	127	66	25	41	UC311-32 311	T311	6.1
UCT312 312-36	2 1/4	60	31	23	113	71	41	123	22	160	178	220	71	46	85	135	71	26	45	UC312 312-36	T312	7.6
UCT313-40 313	2 1/2	65	32	25	116	70	43	134	26	170	190	238	80	50	92	146	75	30	45	UC313-40 313	T313	9.3
UCT314-44 314	2 3/4	70	36	25	130	85	46	140	26	180	202	252	90	52	97	155	78	33	45	UC314-44 314	T314	11.1
UCT315 315-48	3	75	36	25	132	85	46	150	26	192	216	262	90	55	102	160	82	32	50	UC315 315-48	T315	13
UCT316 316-50	3 1/8	80	42	28	150	98	53	160	30	204	230	282	102	60	108	174	86	34	52	UC316 316-50	T316	16.2
UCT317 317-52	3 1/4	85	42	30	152	98	53	170	32	21	240	298	102	64	115	183	96	40	56	UC317 317-52	T317	19
UCT318-56 318	3 1/2	90	46	30	160	106	57	175	32	228	255	312	110	66	120	192	96	40	56	UC318-56 318	T318	21.6
UCT319		95	46	31	165	106	57	180	35	240	270	322	110	72	125	197	103	41	62	UC319	T319	24.9
UCT320 320-64	4	100	48	32	175	115	59	200	35	260	290	345	120	75	135	210	108	42	66	UC320 320-64	T320	30.7
UCT322		110	52	38	185	125	65	215	38	285	320	385	130	80	150	235	117	46	71	UC322	T322	39.7
UCT324		120	60	42	210	140	70	230	45	320	355	432	140	90	165	267	126	51	75	UC324	T324	54.4
UCT326		130	65	45	220	150	75	240	50	350	385	465	150	100	180	285	135	54	81	UC326	T326	69.3
UCT328		140	70	50	230	160	80	255	50	380	415	515	155	100	200	315	145	59	86	UC328	T328	85.1